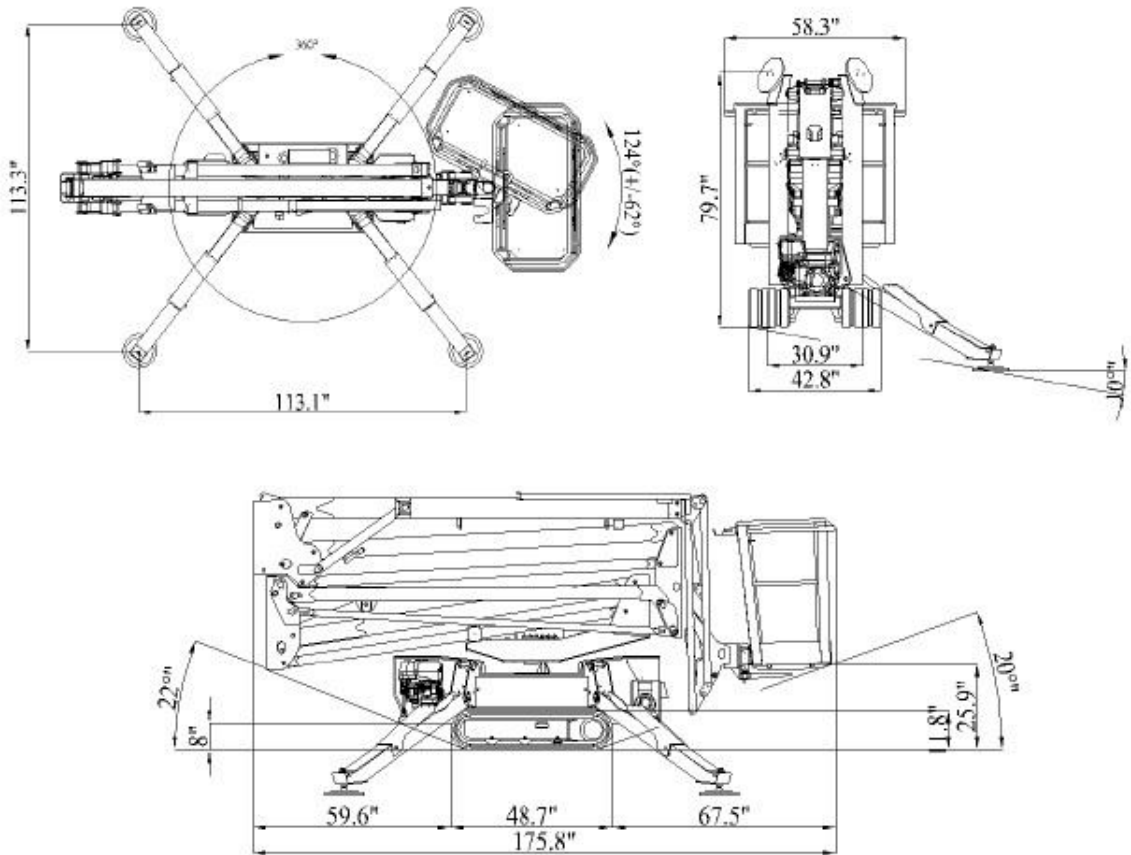


LightLift LL63

Reach Diagram



High Access Solutions
 1901 McCleskey Ct.
 Fort Worth, TX 76112
 817-243-6800

www.WeReachHigh.com
 info@WeReachHigh.com

Technical Data

Standard Features:

Basket rotation	124° (2*62°)
Turret rotation (non cont.)	360°
Jib type articulated joint	82.7°
Max stabilization inclination	10°
Gasoline Engine (LL63)	Honda iGX440 – 15HP
Electric motor	110V AC
Electric system voltage	12V
Max travel speed	0.87mph
Max driving slope	20° / 36%
Max wind speed	27.96mph
Max manual force	89.9 pound-force

Other Standard Features:

Emergency lowering system, air to the basket, 110V to the basket, Start and Stop of main motor from the basket, load limiting device, double block valve on the stabilizers, stabilization warning lights, widening undercarriage.

The information and data in this brochure are not considered binding without express confirmation by ReachMaster, Inc. and subject to change without notice

